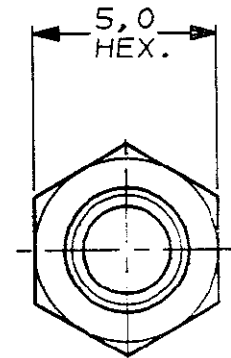
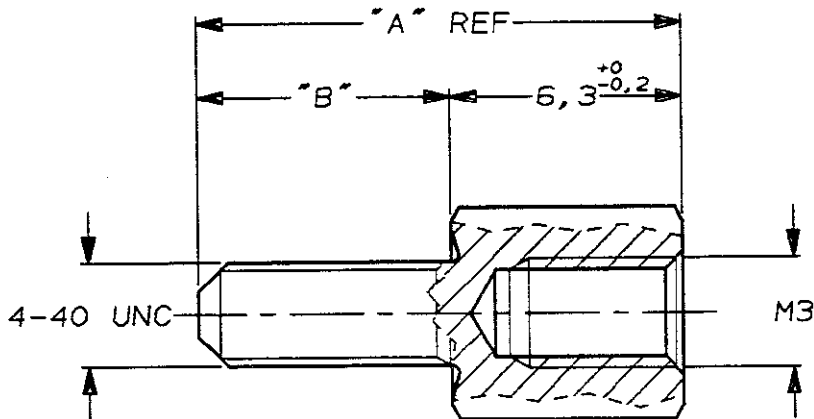


DO NOT SCALE

DIMENSIONS IN mm

METRIC

THIRD ANGLE
PROJECTION



DWG. CENTER

05 JUN 1992

-	3,0	9,2	UNPLATED	ARCAP	3-828101-3
-	3,0	9,2	TINPLATED	BRASS	3-828101-1
-	11,0	17,2	UNPLATED	ARCAP	2-828101-3
-	11,0	17,2	TINPLATED	BRASS	2-828101-1
-	9,7	15,9	UNPLATED	ARCAP	1-828101-3
-	9,7	15,9	TINPLATED	BRASS	1-828101-1
-	5,0	11,2	UNPLATED	ARCAP	828101-3
-	5,0	11,2	TINPLATED	BRASS	828101-1
-	DIM "B"	DIM "A"	FINISH	MATERIAL	ORDERNUMBER

-	-	-	-	-	-
-	-	-	-	-	-
-	-	-	-	-	-
-	-	-	-	-	-
-	-	-	-	-	-
-	-	-	-	-	-
F	H-9720	S.M.	C.V.T	21-04-92	
LTR.	REVISION RECORD	DR.	CHK.	DATE	

CUSTOMER DRAWING FOR REFERENCE ONLY WILL NOT BE UPDATED

© COPYRIGHT 19- BY AMP HOLLAND B.V.
ALL INTERNATIONAL RIGHTS RESERVED. AMP PRODUCTS MAY BE COVERED BY U.S. AND FOREIGN AND/OR PATENTS PENDING.
THIS DRAWING IS UNPUBLISHED
RELEASED FOR PUBLICATION _____, 19____

AMP | AMP HOLLAND B.V.
's-Hertogenbosch,
The Netherlands.

NAME
SCREWLOCK, FEMALE, HD-SERIES

DR.:	D.KESSLER	CHK.:	C.V.TILBURG	APP.:	C.V.SOEEST	DWG.No.		REV.LTR.		SHEET	
DATE:	02-04-91	DATE:	23-04-91	DATE:	25-04-91	C-828101		F		1 OF 1	A4